
Building Envelope Tolerance *Series 2 of 5 – Precast Concrete*

Corey S Zussman, AIA, NCARB, ALA, RBEC, RRC, REWC, RWC, RRO,
CDT, CQM, CxA+BE, LEED® AP BD+C



Building Envelope Tolerance Precast Concrete

List of References:

Handbook of Construction Tolerances 2ed

by David Kent Ballast, AIA, CSI

***MNL 116 / MNL 117, Quality Control for Structural Concrete /
Architectural Concrete***

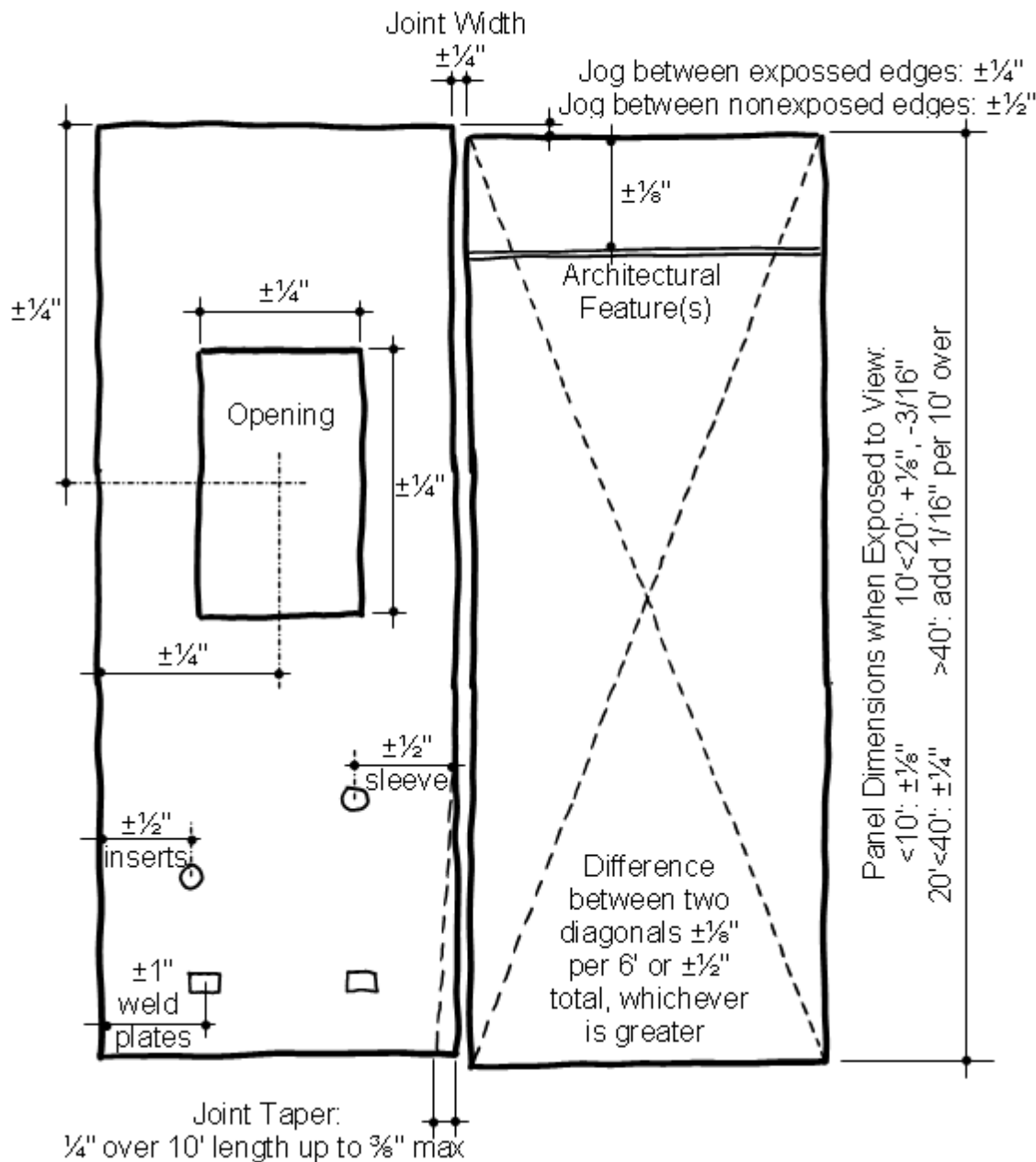
MNL-135, Tolerance Manual for Precast & Prestressed Concrete



PRECAST CONCRETE

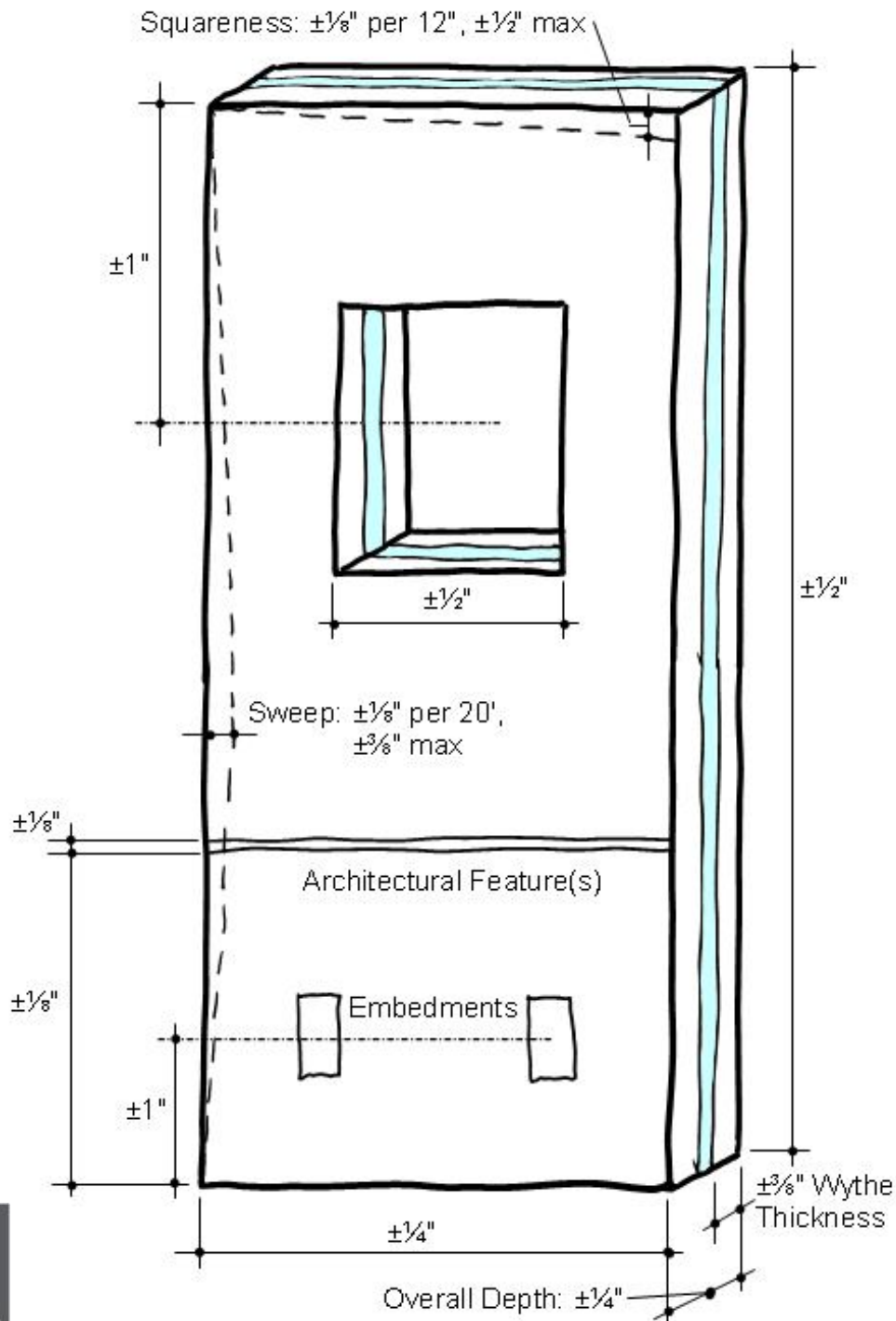


Panel Face Alignment: $\pm 1/4"$ Panel Thickness: $+1/4", -1/8"$
 Panel Bowing: \pm Panel Dim/360 (1" Max)
 Panel Warping: 1/16" per foot of distance from nearest adjacent corner



Architectural Precast Concrete Panel Fabrication Tolerances

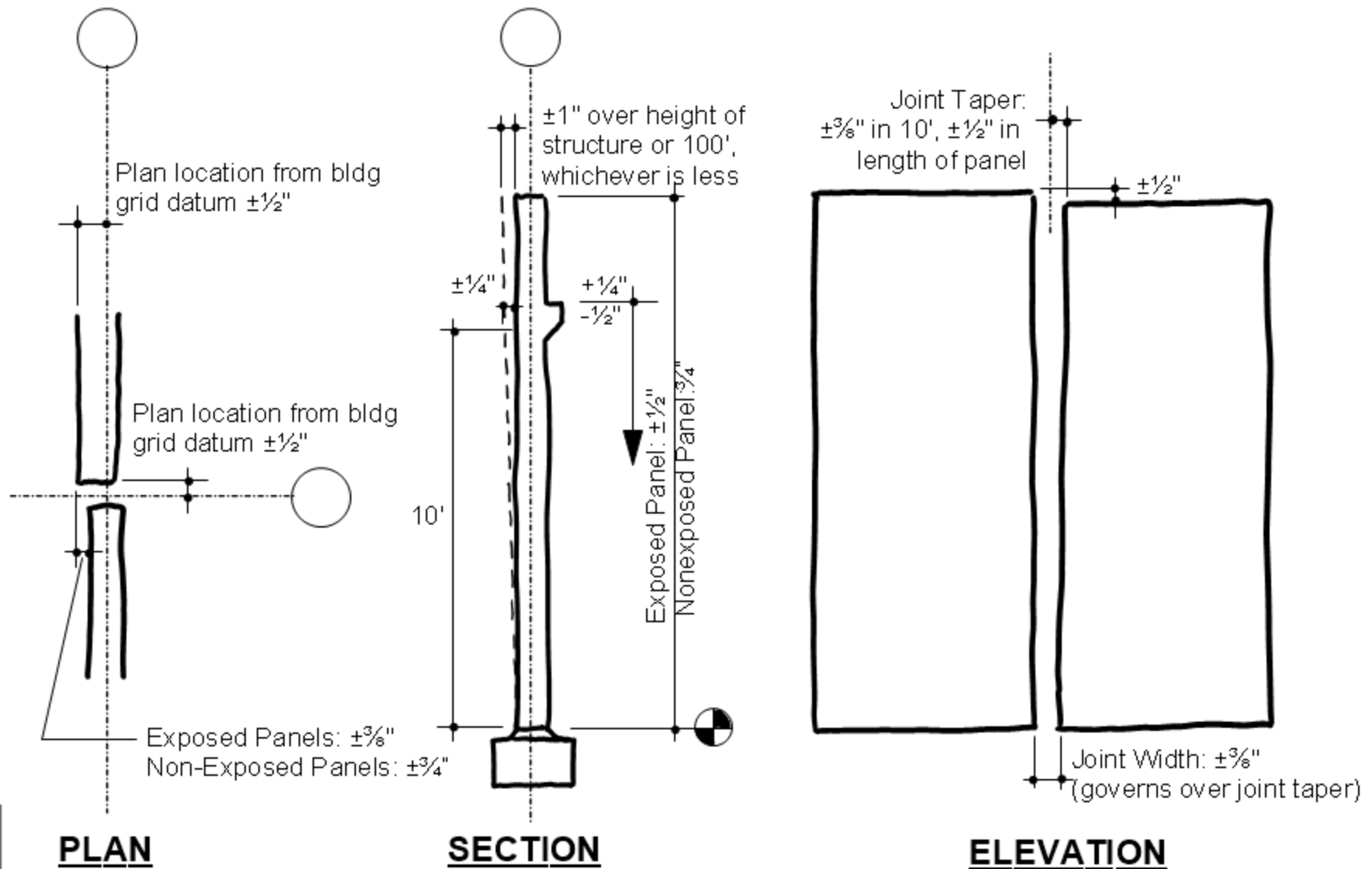
MNL 117



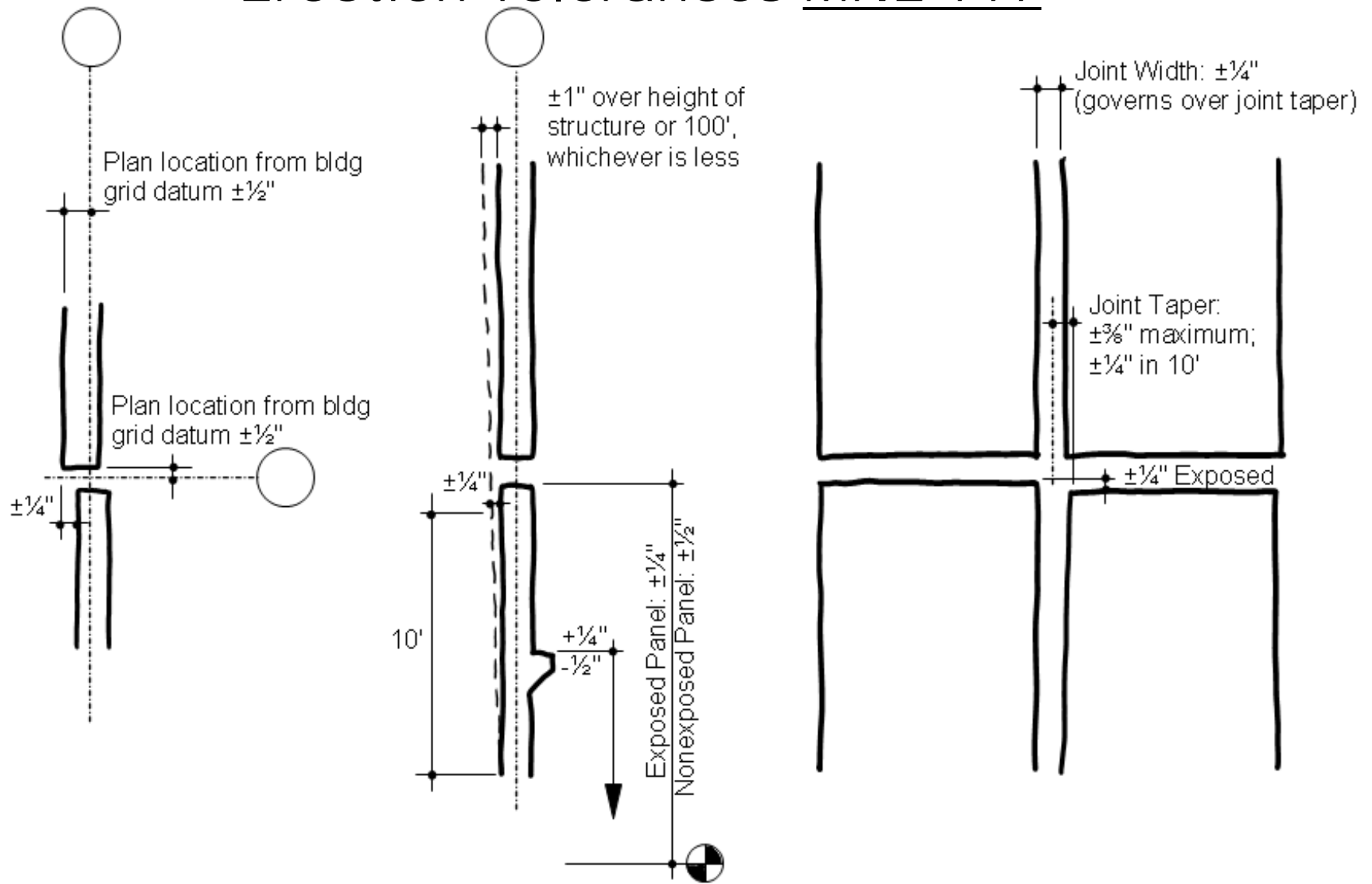
Precast Concrete Insulated wall Panel Fabrication Tolerances MNL 116



Precast Structural Concrete wall Panel Erection Tolerances MNL 116



Precast Architectural Concrete wall Panel Erection Tolerances MNL 117



PLAN

SECTION

ELEVATION